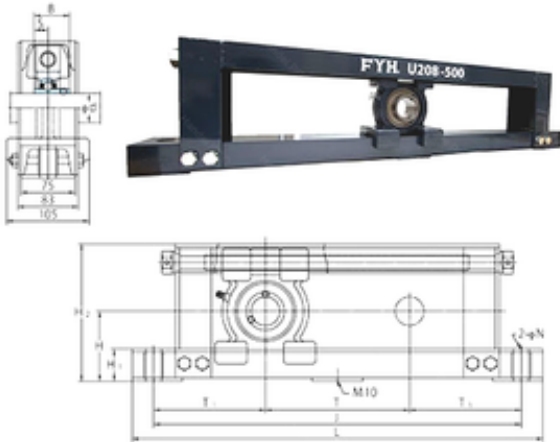


FYH UCTU209-700 Unidad De Rodamiento

Bearing No. UCTU209-700



UCTU209-700 Bearing 2D drawings and 3D CAD models

| | |
|-------------------------------|---------|
| Bore Diameter | 45 mm |
| Width | 49,2 mm |
| d | 45 mm |
| T1 | 160 mm |
| B | 49,2 mm |
| H | 102 mm |
| H1 | 44 mm |
| H2 | 200 mm |
| J | 1020 mm |
| L | 1080 mm |
| N | 22 mm |
| S | 19 mm |
| T | 700 mm |
| Bolt (G) | M18 |
| Weight | 25 Kg |
| Basic dynamic load rating (C) | 34,1 kN |
| Basic static load rating (C0) | 21,3 kN |